

1

2

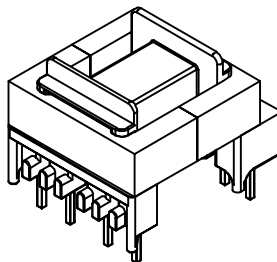
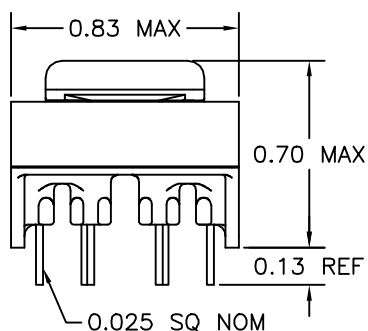
3

4

5

6

A

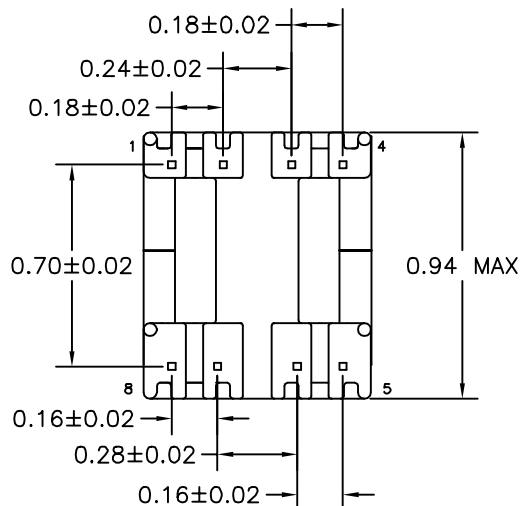


A

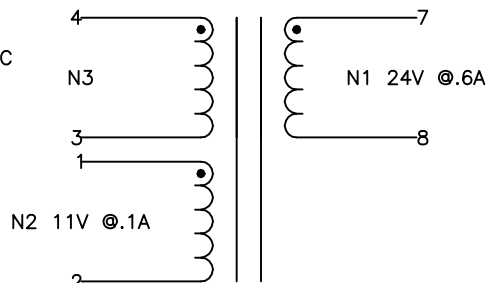
B

B

C



120-375VDC
 @ 100KHZ
 50%DC



C

D

D

E

E

ELECTRICAL SPECIFICATIONS

L @ 1kHz 10mA - (4-3) 900 μ H \pm 10%

LL @ 100kHz 10mA - (4-3) 20.4 μ H TYP, TOL TBD
 (WITH 1,2,7,8 SHORTED)

URNS RATIO - \pm 3%

N3:N1 - 1:0.261

N3:N2 - 1:0.125

DCR - OHMS TYP, TOL TBD

N1 - 0.082

N2 - 0.181

N3 - 1.49

HIPOT - 5500VAC 1SEC

N2,N3 TO N1

NOTE:

MEETS CONSTRUCTION FOR:

UL 1310, 1950, 1411

IEC 61558-1, 2-17, EN60950

F

G

G

H

H

REVISION		DATE	MARKINGS	LOCATION
A	RELEASED	05/17/02	CRAMER EIA DATE CODE CVP 30-021	PIN RAIL SIDE OF CORE
			DESCRIPTION 24 V 16 VA VIPER XFMR (S)	TOLERANCE UNLESS OTHERWISE SPECIFIED 2 PLACE DECIMALS \pm .010 3 PLACE DECIMALS \pm .005 FRACTIONS \pm 1/64 ANGLES \pm 1/2°
			CUSTOMER	PROPRIETARY INFORMATION PROPERTY OF CRAMER COIL & TRANSFORMER CO. DUPLICATION AND/OR DISTRIBUTION BY PERMISSION ONLY
			DR. MEC	DATE 05/17/02
			APPD. MJA	DATE 05/21/02
			CUSTOMER PART NUMBER	REV
			CRAMER PART NUMBER CVP 30-021	REV A

I

J

J

1

2

3

4

5

6