

1

2

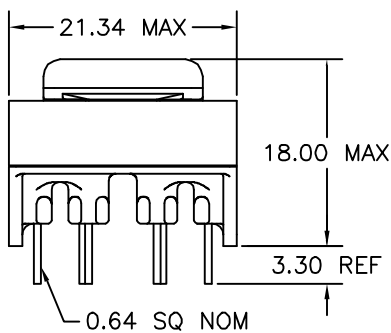
3

4

5

6

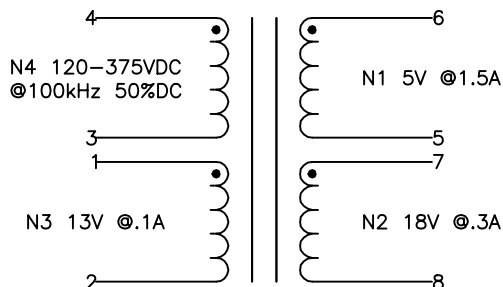
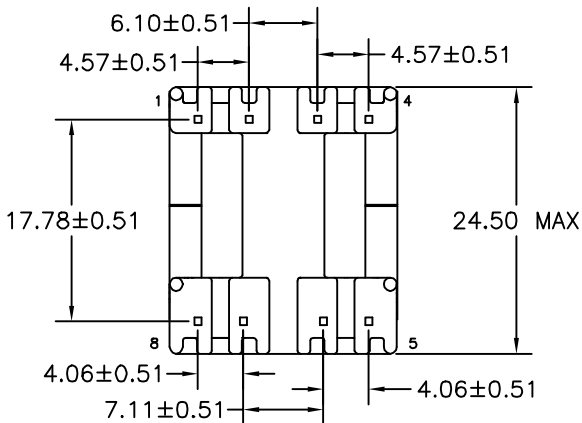
A



FOR USE WITH
STMicroelectronics
VIPer 50
PRIMARY REGULATION

B

C



NOTE:
POLARITY SHOWN IS FOR THE
TRANSFORMER. FOR CORRECT
FLYBACK OPERATION, CONNECT
B+ TO PIN 3.

D

E

ELECTRICAL SPECIFICATIONS

L @ 1kHz .1V - (3-4) 900μH ±10%

LL @ 100kHz .1V - (3-4) 22.6μH TYP, TOL TBD
(WITH 1,2,5-8 SHORTED)

URNS RATIO - ±3%

N4:N1 - 1:0.057

N4:N2 - 1:0.190

N4:N3 - 1:0.148

DCR - OHMS TYP, TOL TBD

N1 - 0.009

N2 - 0.128

N3 - 0.218

N4 - 1.54

HIPOT - 5500VAC 1SEC

N1,N2 TO N3,N4

NOTE:
MEETS CONSTRUCTION FOR:
UL 1310, 1950, 1411
IEC 61558-1, EN60950

H

REVISION		DATE	MARKINGS	LOCATION	
0	PRELIMINARY	01/10/00	CRAMER DATE CODE CVP 30-003	PIN RAIL SIDE OF CORE	
1	CHANGED PIN OUTS	02/22/00	DESCRIPTION	TOLERANCE UNLESS OTHERWISE SPECIFIED 2 PLACE DECIMALS ±.010 3 PLACE DECIMALS ±.005 FRACTIONS ±1/64 ANGLES ±1/2°	PROPRIETARY INFORMATION PROPERTY OF CRAMER COIL & TRANSFORMER CO. DUPLICATION AND/OR DISTRIBUTION BY PERMISSION ONLY
A	RELEASED	07/13/05	CUSTOMER		
			G:\DATA\SPECS\ENG\CVP\30-003	CUSTOMER PART NUMBER	REV
			DR. CAM	DATE 01/10/00	CRAMER PART NUMBER CVP 30-003
			APPD. JDB	DATE 01/11/00	

J

1

2

3

4

5

6

A

B

C

D

E

F

G

H

I

J