

1

2

3

4

5

6

A

A

B

B

C

C

D

D

E

E

F

F

G

G

H

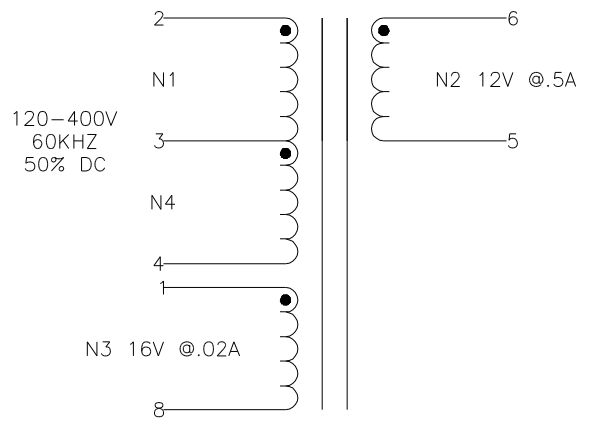
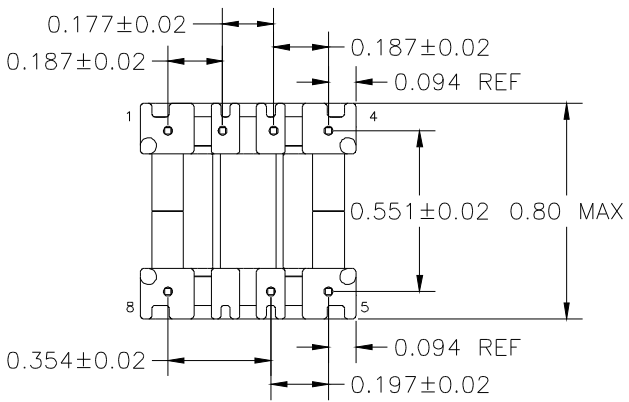
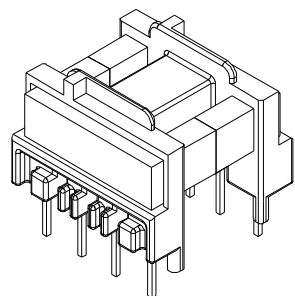
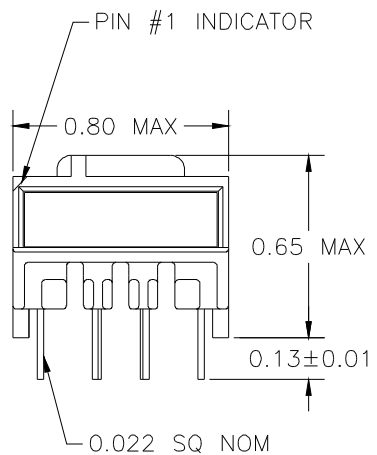
H

I

I

J

J



ELECTRICAL SPECIFICATIONS

L @ 1kHz .1V - (2-4) 3.25mH ±10%

LL @ 100kHz .1V - (2-4) 34µH TYP, TOL TBD
(WITH 1,5,6,8 SHORTED)

URNS RATIO - ±3%
 N1/N4:N2 - 1:0.106
 N1/N4:N3 - 1:0.144

DCR - OHMS TYP, TOL TBD
 N1/N4 - 6.24
 N2 - 0.100
 N3 - 0.996

HIPOT - 4000VAC 1SEC
 N1,N3,N4 TO N2

NOTE:
 MEETS CONSTRUCTION FOR:
 UL 1310, 1950, 1411
 EN60950

REVISION		DATE	MARKINGS	LOCATION
0	PRELIMINARY	05/06/03	CRAMER DATE CODE CVP 10-030	PIN RAIL SIDE OF CORE
A	RELEASED	05/07/03	DESCRIPTION 12V 6VA VIPER 12A TRANSFORMER	TOLERANCE UNLESS OTHERWISE SPECIFIED 2 PLACE DECIMALS ±.010 3 PLACE DECIMALS ±.005 FRACTIONS ±1/64 ANGLES ±1/2°
			CUSTOMER CRAMER COIL	PROPRIETARY INFORMATION PROPERTY OF CRAMER COIL & TRANSFORMER CO. DUPLICATION AND/OR DISTRIBUTION BY PERMISSION ONLY
			G:\DATA\SPCS\ENG\CVP\10-030	CUSTOMER PART NUMBER
			DR. NJW	DATE 05/06/03
			APPD. JDB	DATE 05/07/03
				CRAMER PART NUMBER CVP 10-030
				REV A

1

2

3

4

5

6