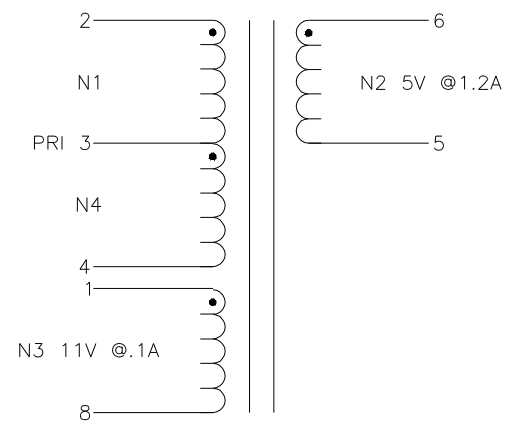
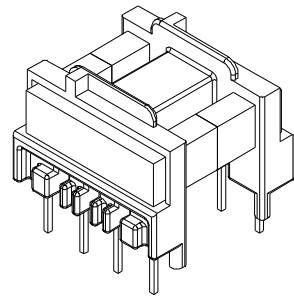
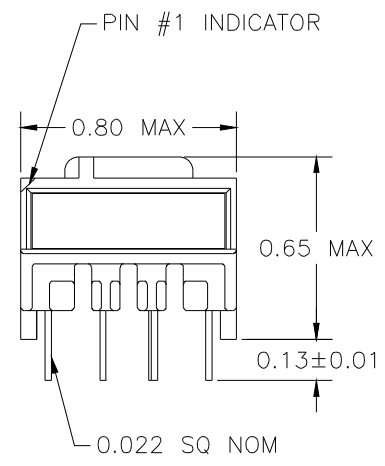


1 2 3 4 5 6

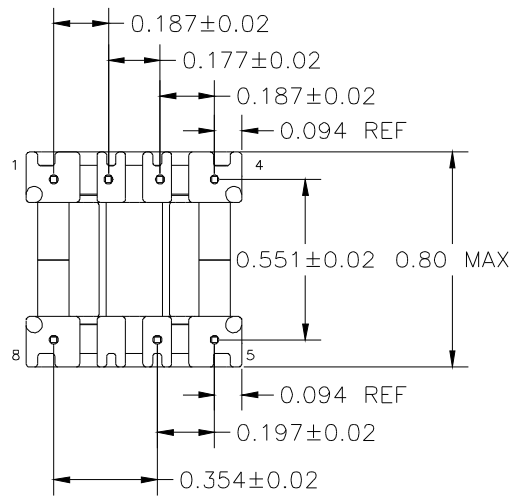
A



B

C

D



E

F

G

ELECTRICAL SPECIFICATIONS
 L @ 1kHz 10mA - (2-4) 3.42mH ±10%
 LL @ 100kHz 10mA - (2-4) 44µH TYP, TOL TBD
 (WITH 1,5,6,8 SHORTED)
 TURNS RATIO - ±3%
 2-4:6-5 - 1:0.049
 2-4:1-8 - 1:0.108
 DCR - OHMS TYP, TOL TBD
 2-4 - 4.85
 6-5 - 0.029
 1-8 - 0.581
 HIPOT - 4000VAC 1SEC
 N1,N3,N4 TO N2

H

REVISION		DATE
A	RELEASED	09/14/00

MARKINGS	LOCATION		
CRAMER EIA DATE CODE CVP 10-024	PIN RAIL SIDE OF CORE		
DESCRIPTION 7.8 VA FLYBACK XFMR WITH SECONDARY CONTROL	TOLERANCE UNLESS OTHERWISE SPECIFIED 2 PLACE DECIMALS ±.010 3 PLACE DECIMALS ±.005 FRACTIONS ±1/64 ANGLES ±1/2°	PROPRIETARY INFORMATION PROPERTY OF CRAMER COIL & TRANSFORMER CO. DUPLICATION AND/OR DISTRIBUTION BY PERMISSION ONLY	
CUSTOMER ST MICROELECTRONICS			
G:\DATA\SPCS\ENG\CVP\10-024			CUSTOMER PART NUMBER CVP 10-024
DR. MEC	DATE 09/14/00	CRAMER PART NUMBER CVP 10-024	REV A
APPD. JDB	DATE 09/15/00		

I

J

1 2 3 4 5 6